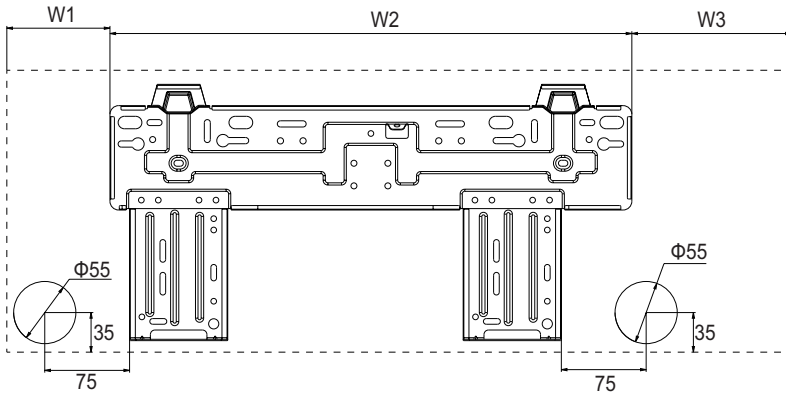
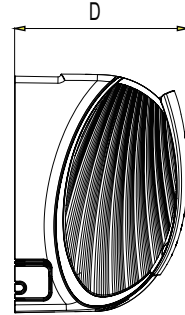
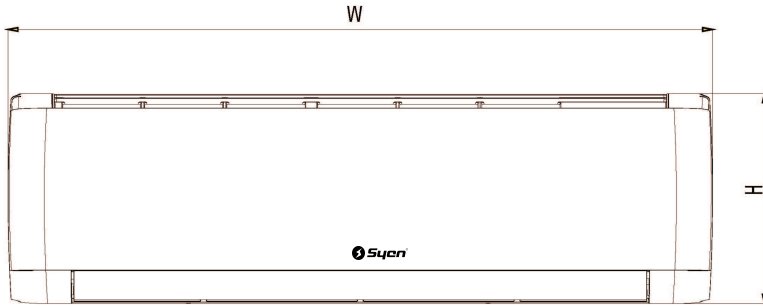


Outdoor Unit	Outdoor Unit Model		SOH09MU-E32DA1A/O(LCLH)	SOH12MU-E32DA1D/O(LCLH)
	Outdoor Unit Product Code		CB497W03000	CB419W15500
	Compressor Manufacturer		ZHUHAI LANDA COMPRESSOR CO., LTD	ZHUHAI LANDA COMPRESSOR CO.,LTD
	Compressor Model		QXF-A079zE190A	QXF-A102zE190B
	Compressor Oil		FW68DA	FW68DA
	Compressor Type		Rotary	Rotary
	Compressor LRA.	A	/	/
	Compressor RLA	A	4.6	4.6
	Compressor Power Input	W	790	1023
	Compressor Overload Protector		HPC115/95U1/KSD115°C	HPC115/95U1/KSD115°C
	Throttling Method		Capillary	Electron expansion valve
	Set Temperature Range	°C	16~30	16~30
	Cooling Operation Ambient Temperature Range	°C	-15~43	-15~43
	Heating Operation Ambient Temperature Range	°C	-22~24	-22~24
	Condenser Form		Aluminum Fin-copper Tube	Aluminum Fin-copper Tube
	Condenser Pipe Diameter	mm	Φ7	Φ7.94
	Condenser Rows-fin Gap	mm	1-1.4	1-1.4
	Condenser Coil Length (LXDXW)	mm	710X19.05X508	731X19.05X550
	Fan Motor Speed	rpm	900	900
	Fan Motor Power Output	W	30	30
	Fan Motor RLA	A	0.36	0.36
	Fan Motor Capacitor	μF	/	/
	Outdoor Unit Air Flow Volume	m ³ /h	1600	2200
	Fan Type		Axial-flow	Axial-flow
	Fan Diameter	mm	Φ400	Φ438
	Defrosting Method		Automatic Defrosting	Automatic Defrosting
	Climate Type		T1	T1
	Isolation		I	I
	Moisture Protection		IPX4	IPX4
	Permissible Excessive Operating Pressure for the Discharge Side	MPa	4.3	4.3
	Permissible Excessive Operating Pressure for the Suction Side	MPa	2.5	2.5
	Sound Pressure Level (H/M/L)	dB (A)	50/-/-	52/-/-
	Sound Power Level (H/M/L)	dB (A)	61/-/-	62/-/-
Dimension(WXHxD)	mm	782X540X320	848X596X320	
Dimension of Carton Box (LXWXH)	mm	820X355X580	878X360X630	
Dimension of Package(LXWXH)	mm	823X358X595	881X363X645	
Net Weight	kg	27.5	31	
Gross Weight	kg	30	34	
Refrigerant		R32	R32	
Refrigerant Charge	kg	0.55	0.7	
Connection Pipe	Connection Pipe Length	m	5	5
	Connection Pipe Gas Additional Charge	g/m	16	16
	Outer Diameter Liquid Pipe	mm	Φ6	Φ6
	Outer Diameter Gas Pipe	mm	Φ9.52	Φ9.52
	Max Distance Height	m	10	10
	Max Distance Length	m	15	20
Note: The connection pipe applies metric diameter.				

The above data is subject to change without notice. Please refer to the nameplate of the unit.

3. Outline Dimension Diagram

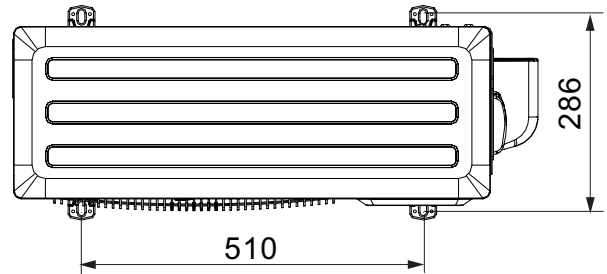
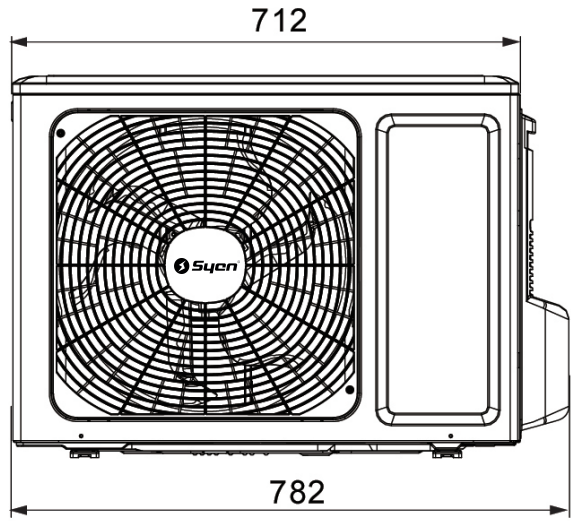
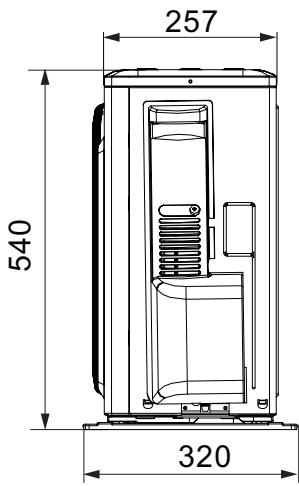
3.1 Indoor Unit



Unit:mm

Models	W	H	D	W1	W2	W3
09K 12K	894	291	211	201	542	146

SOH09MU-E32DA1A/O



Unit:mm