

# 2. Specifications

## 2.1 Specification Sheet

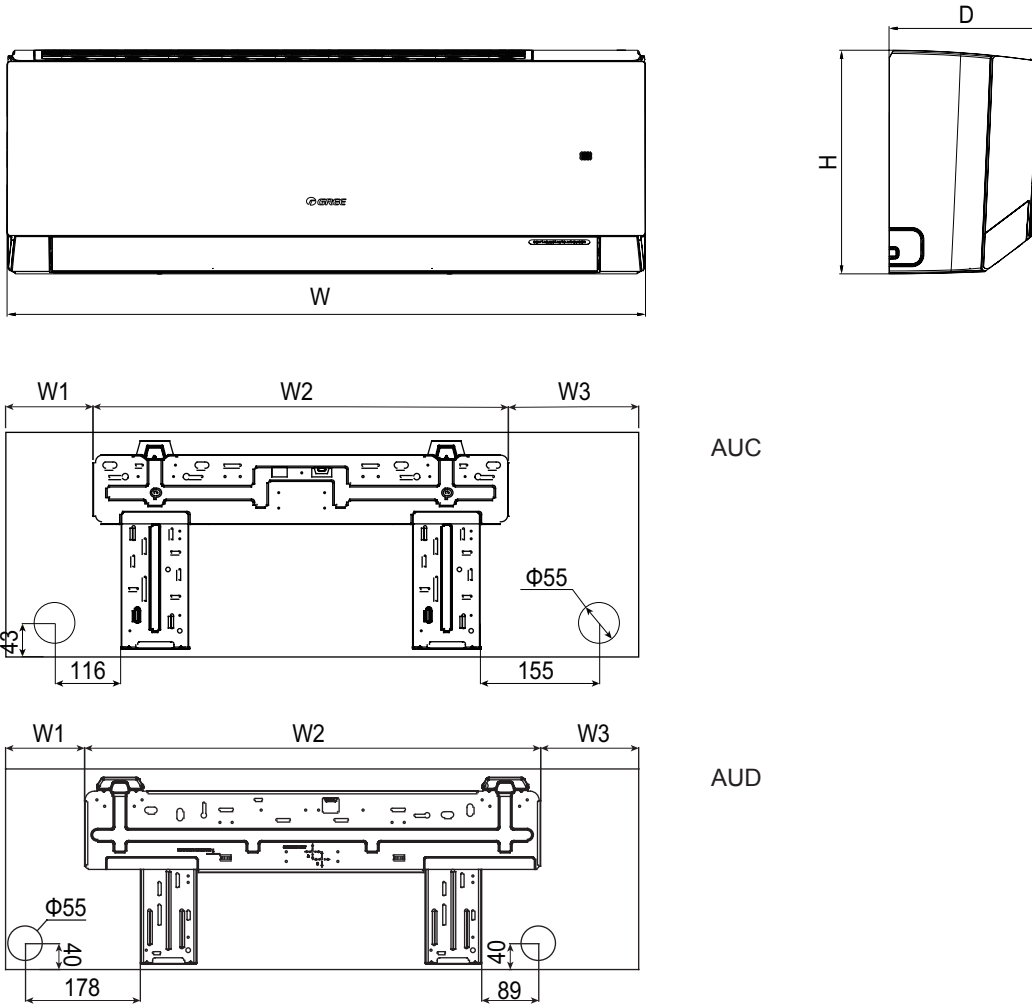
Model			1.GWH09AUCXB-K6DNA1A 2.GWH09AUCXB-K6DNA2A	
Product Code			1.CB575000300/CB575000302/CB575000303/CB575000304/CB575000307 2.CB597000400/CB597000403	
Power Supply	Rated Voltage	V~	220-240	
	Rated Frequency	Hz	50	
	Phases		1	
Power Supply Mode			Outdoor	
Cooling Capacity		W	2700	
Heating Capacity		W	3000	
Cooling Power Input		W	670	
Heating Power Input		W	680	
Cooling Current Input		A	3.1	
Heating Current Input		A	3.2	
Rated Input		W	1400	
Rated Cooling Current		A	6.0	
Rated Heating Current		A	6.2	
Air Flow Volume		m <sup>3</sup> /h	610/570/540/470/440/420/390/180	
Dehumidifying Volume		L/h	0.80	
EER		W/W	4.03	
COP		W/W	4.41	
SEER			8.5	
SCOP(Average/WarmerColder)			4.6/5.7/3.5	
Application Area		m <sup>2</sup>	12-18	
Indoor Unit	Model		1.GWH09AUCXB-K6DNA1A/I 2.GWH09AUCXB-K6DNA2A/I	
	Product Code		1.CB575N00300/CB575N00302/CB575N00303/CB575N00304/CB575N00306 2.CB597N00400/CB597N00402	
	Fan Type		Cross-flow	
	Fan Diameter Length(DXL)		mm	Φ98×633.5
	Cooling Speed		r/min	1200/1100 /1050/950/800/700/650/500
	Heating Speed		r/min	1200/1100 /1040/950/900/880/850
	Fan Motor Power Output		W	15
	Fan Motor RLA		A	0.22
	Fan Motor Capacitor		μF	/
	Heater Power Input		W	25
	Evaporator Form			Aluminum Fin-copper Tube
	Evaporator Pipe Diameter		mm	Φ5
	Evaporator Row-fin Gap		mm	2-1.4
	Evaporator Coil Length (LXDXW)		mm	635×22.8×306.3
	Swing Motor Model			MP24HF/MP24AK/MP24BA
	Swing Motor Power Output		W	1.5/1.5/1.5
	Fuse Current		A	3.15
	Sound Pressure Level		dB (A)	Cooling:38/37/34/31/26/23/22/19 Heating:39/37/34/31/30/29/28
	Sound Power Level		dB (A)	Cooling:58/51/48/45/40/37/36/33 Heating:58/51/48/45/44/43/42
	Dimension (WXHxD)		mm	837×293×200
	Dimension of Carton Box (LXWXH)		mm	891×357×261
Dimension of Package (LXWXH)		mm	896×373×272	
Net Weight		kg	9.5	
Gross Weight		kg	11.5	

Outdoor Unit	Outdoor Unit Model		GWH09AUCXB-K6DNA1A/O(LCLH)	
	Outdoor Unit Product Code		CB575W00300	
	Compressor Manufacturer		ZHUHAI LANDA COMPRESSOR CO.,LTD	
	Compressor Model		QXF-A082zC170	
	Compressor Oil		ZE-G;ES RB68GX or equivalent	
	Compressor Type		Rotary	
	Compressor LRA.	A		15.00
	Compressor RLA	A		2.56
	Compressor Power Input	W		756.6
	Compressor Overload Protector			/
	Throttling Method			Capillary
	Set Temperature Range	°C		16~30
	Cooling Operation Ambient Temperature Range	°C		-15~50
	Heating Operation Ambient Temperature Range	°C		-25~30
	Condenser Form			Aluminum Fin-copper Tube
	Condenser Pipe Diameter	mm		Φ7
	Condenser Rows-fin Gap	mm		1-1.2
	Condenser Coil Length (LXDXW)	mm		666×19.05×527
	Fan Motor Speed	rpm		850
	Fan Motor Power Output	W		30
	Fan Motor RLA	A		0.40
	Fan Motor Capacitor	μF		/
	Outdoor Unit Air Flow Volume	m <sup>3</sup> /h		1950
	Fan Type			Axial-flow
	Fan Diameter	mm		Φ400
	Defrosting Method			Automatic Defrosting
	Climate Type			T1
	Isolation			I
	Moisture Protection			IPX4
	Permissible Excessive Operating Pressure for the Discharge Side	MPa		4.3
	Permissible Excessive Operating Pressure for the Suction Side	MPa		2.5
	Sound Pressure Level	dB (A)		50
	Sound Power Level	dB (A)		61
Dimension(WXHxD)	mm		732×555×330	
Dimension of Carton Box (LXWXH)	mm		791×373×590	
Dimension of Package(LXWXH)	mm		794×376×615	
Net Weight	kg		25	
Gross Weight	kg		27.5	
Refrigerant			R32	
Refrigerant Charge	kg		0.53	
Connection Pipe	Connection Pipe Length	m	5	
	Connection Pipe Gas Additional Charge	g/m	16	
	Outer Diameter Liquid Pipe		1/4"	
	Outer Diameter Gas Pipe		3/8"	
	Max Distance Height	m	10	
	Max Distance Length	m	15	
Note: The connection pipe applies metric diameter.				

The above data is subject to change without notice. Please refer to the nameplate of the unit.

# 3. Outline Dimension Diagram

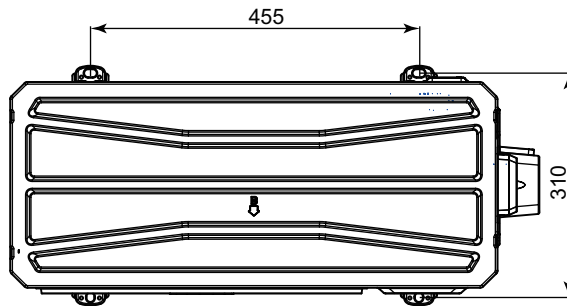
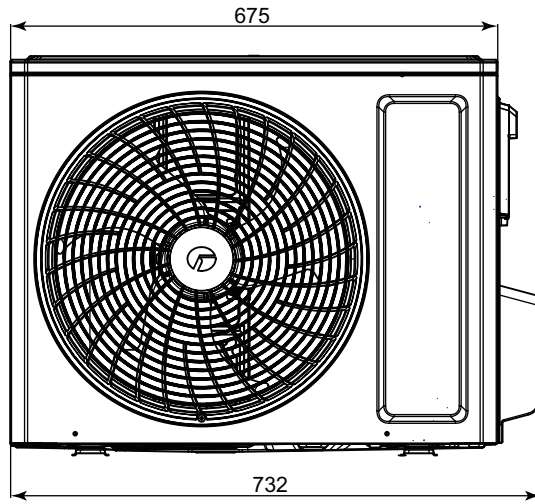
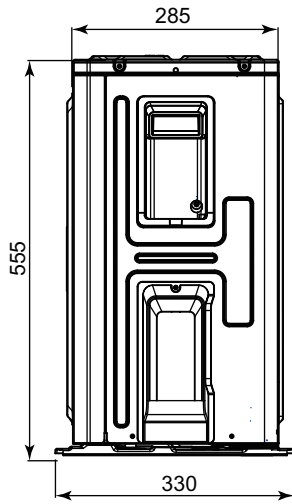
## 3.1 Indoor Unit



Model (-The first three characters)	W	H	D	W1	W2	W3
AUC	837	293	200	119	542	176
AUD	993	311	222	128	707.5	157.5

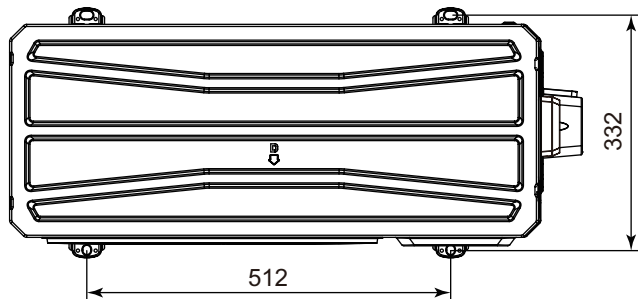
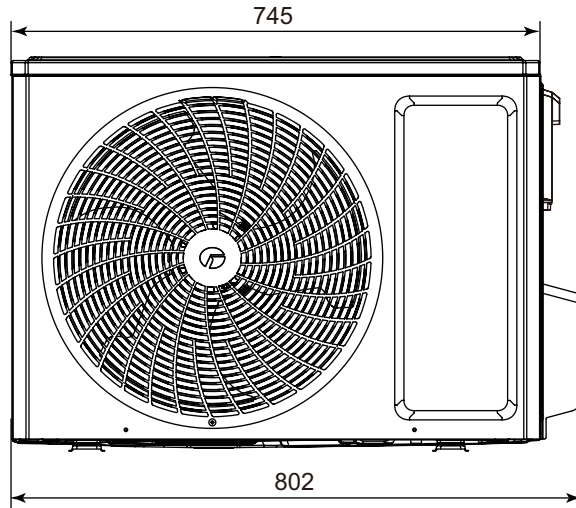
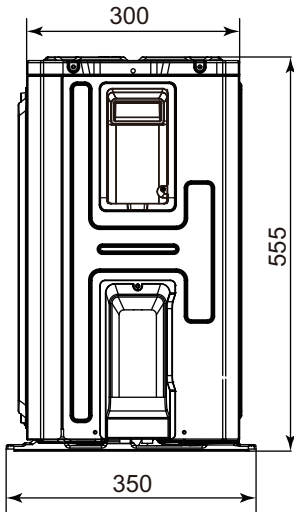
### 3.2 Outdoor Unit

GWH09AUCXB-K6DNA1A/O GWH12AUCXB-K6DNA1A/O



Unit:mm

GWH18AUDXD-K6DNA1A/O GWH12AUCXD-K6DNA1C/O  
(The front grill appearance is for reference only)



Unit:mm